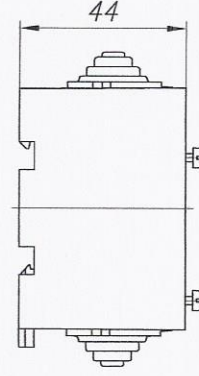
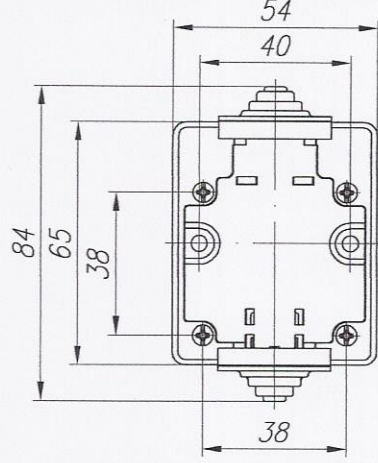


404038

PANO PRİZ KASA RAY MONTAJ ELEMANLI
(MOUNTING BOX WITH DIN RAIL BRACKET)



ÖLÇÜLER
(DIMENSIONS)

MALZEME
(MATERIAL)

PA6 V2 HFR (UL 94)

MONTAJ VİDALARI
(MOUNTING SCREWS)

ÇELİK - NİKEL KAPLI
(STEEL - NICKEL PLATED)

BOYUTSAL DAYANIM
(DIMENSIONAL STRENGTH)

HAVA ŞARTLARINA DAYANIKLI (-40°C /+60°C)
(DURABLE AGAINST ALL WEATHER CONDITIONS)

RENK SEÇENEKLERİ
(COLOUR OPTIONS)

MAVİ - GRİ - SİYAH
(BLUE - GREY - BLACK)

SIZDIRMAZLIK DEREJESİ
(PROTECTION DEGREE)

IP 44 (TS 3033 EN 60529)

DARBE DAYANIMI
(IMPACT RESISTANCE)

IK 06 (1 joule, TS EN 50102+A1)

AKKOR FLAMAN TEST
(GLOW WIRE TEST)

750°C (TS EN 60695-2-12)

KADEMELİ RAKOR
(CABLE GLAND)

TPE

AR-GE DİREKTÖR
(R&D DIRECTOR)

ŞERİFE KARACA